

DM54S257/DM74S257, DM54S258/DM74S258 TRI-STATE® Quad 1 of 2 Data Selectors/Multiplexers

General Description

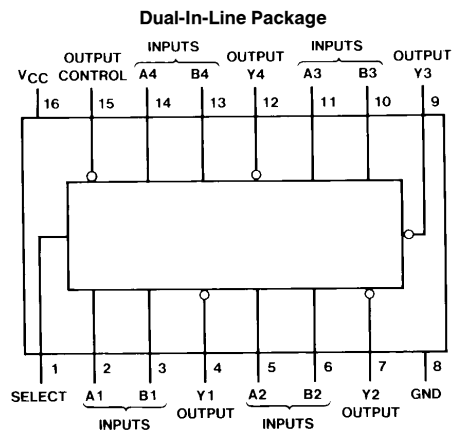
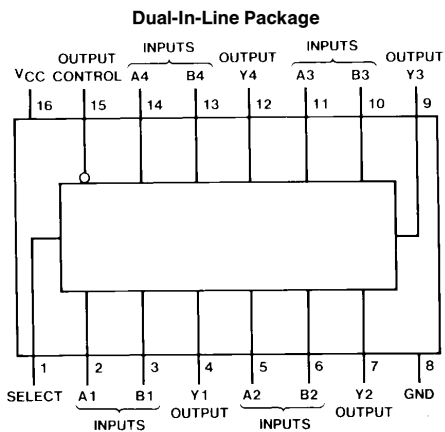
These Schottky-clamped high-performance multiplexers feature TRI-STATE outputs that can interface directly with data lines of bus-organized systems. With all but one of the common outputs disabled (at a high impedance state), the low impedance of the single enabled output will drive the bus line to a high or low logic level. To minimize the possibility that two outputs will attempt to take a common bus to opposite logic levels, the output enable circuitry is designed such that the output disable times are shorter than the output enable times.

This TRI-STATE output feature means that n-bit (paralleled) data selectors with up to 258 sources can be implemented for data buses. It also permits the use of standard TTL registers for data retention throughout the system.

Features

- TRI-STATE versions S157, S158, with same pin-outs
- Schottky-clamped for significant improvement in A-C performance
- Provides bus interface from multiple sources in high-performance systems
- Average propagation delay from data input
 - S257 4.8 ns
 - S258 4 ns
- Typical power dissipation
 - S257 320 mW
 - S258 280 mW

Connection Diagrams



TL/F/6482-1

TL/F/6482-2

Order Number DM54S257J, DM54S258J, DM54S257W, DM74S257N or DM74S258N
See NS Package Number J16A, N16E or W16A

Function Table

Output Control	Select	Inputs		Output Y	
		A	B	S257	S258
H	X	X	X	Z	Z
L	L	L	X	L	H
L	L	L	X	H	L
L	H	X	L	L	H
L	H	X	H	H	L

H = High Level, L = Low Level, X = Don't Care
Z = High Impedance (off)

TRI-STATE® is a registered trademark of National Semiconductor Corporation.

DM54S257/DM74S257, DM54S258/DM74S258
TRI-STATE Quad 1 of 2 Data Selectors/Multiplexers

Absolute Maximum Ratings (Note)

If Military/Aerospace specified devices are required, please contact the National Semiconductor Sales Office/Distributors for availability and specifications.

Supply Voltage	7V
Input Voltage	5.5V
Operating Free Air Temperature Range	
DM54S	-55°C to +125°C
DM74S	0°C to +70°C
Storage Temperature Range	-65°C to +150°C

Note: The "Absolute Maximum Ratings" are those values beyond which the safety of the device cannot be guaranteed. The device should not be operated at these limits. The parametric values defined in the "Electrical Characteristics" table are not guaranteed at the absolute maximum ratings. The "Recommended Operating Conditions" table will define the conditions for actual device operation.

Recommended Operating Conditions

Symbol	Parameter	DM54S257			DM74S257			Units
		Min	Nom	Max	Min	Nom	Max	
V _{CC}	Supply Voltage	4.5	5	5.5	4.75	5	5.25	V
V _{IH}	High Level Input Voltage	2			2			V
V _{IL}	Low Level Input Voltage			0.8			0.8	V
I _{OH}	High Level Output Current			-2			-6.5	mA
I _{OL}	Low Level Output Current			20			20	mA
T _A	Free Air Operating Temperature	-55		125	0		70	°C

'S257 Electrical Characteristics

over recommended operating free air temperature (unless otherwise noted)

Symbol	Parameter	Conditions	Min	Typ (Note 1)	Max	Units
V _I	Input Clamp Voltage	V _{CC} = Min, I _I = -18 mA			-1.2	V
V _{OH}	High Level Output Voltage	V _{CC} = Min, I _{OH} = Max V _{IL} = Max, V _{IH} = Min	DM54	2.4	3.4	V
			DM74	2.4	3.2	
V _{OL}	Low Level Output Voltage	V _{CC} = Min, I _{OL} = Max V _{IH} = Min, V _{IL} = Max			0.5	V
I _I	Input Current @ Max Input Voltage	V _{CC} = Max, V _I = 5.5V			1	mA
I _{IH}	High Level Input Current	V _{CC} = Max V _I = 2.7V	Select		100	μA
			Other		50	
I _{IL}	Low Level Input Current	V _{CC} = Max, V _I = 0.5V	Select		-4	mA
			Other		-2	
I _{ozH}	Off-State Output Current with High Level Output Voltage Applied	V _{CC} = Max, V _O = 2.4V V _{IH} = Min, V _{IL} = Max			50	μA
I _{ozL}	Off-State Output Current with Low Level Output Voltage Applied	V _{CC} = Max, V _O = 0.5V V _{IH} = Min, V _{IL} = Max			-50	μA
I _{OS}	Short Circuit Output Current	V _{CC} = Max (Note 2)	DM54	-40	-100	mA
			DM74	-40	-100	
I _{CCH}	Supply Current with Outputs High	V _{CC} = Max (Note 3)		44	68	mA
I _{CCL}	Supply Current with Outputs Low	V _{CC} = Max (Note 3)		60	93	mA
I _{CCZ}	Supply Current with Outputs Disabled	V _{CC} = Max (Note 3)		64	99	mA

Note 1: All typicals are at V_{CC} = 5V, T_A = 25°C.

Note 2: Not more than one output should be shorted at a time, and the duration should not exceed one second.

Note 3: I_{CC} is measured with all outputs open and all possible inputs grounded, while achieving the stated output conditions.

'S257 Switching Characteristics

at $V_{CC} = 5V$ and $T_A = 25^\circ C$ (See Section 1 for Test Waveforms and Output Load)

Symbol	Parameter	From (Input) To (Output)	$R_L = 280\Omega$				Units
			$C_L = 15\text{ pF}$		$C_L = 50\text{ pF}$		
			Min	Max	Min	Max	
t_{PLH}	Propagation Delay Time Low to High Level Output	Data to Output		7.5		11	ns
t_{PHL}	Propagation Delay Time High to Low Level Output	Data to Output		6.5		10	ns
t_{PLH}	Propagation Delay Time Low to High Level Output	Select to Output		15		16	ns
t_{PHL}	Propagation Delay Time High to Low Level Output	Select to Output		15		16	ns
t_{PZH}	Output Enable Time to High Level Output	Output Control to Y		19.5		23	ns
t_{PZL}	Output Enable Time to Low Level Output	Output Control to Y		21		24	ns
t_{PHZ}	Output Disable Time to High Level Output (Note 1)	Output Control to Y		8.5			ns
t_{PLZ}	Output Disable Time to Low Level Output (Note 1)	Output Control to Y		14			ns

Note 1: $C_L = 5\text{ pF}$.

Recommended Operating Conditions

Symbol	Parameter	DM54S258			DM74S258			Units
		Min	Nom	Max	Min	Nom	Max	
V_{CC}	Supply Voltage	4.5	5	5.5	4.75	5	5.25	V
V_{IH}	High Level Input Voltage	2			2			V
V_{IL}	Low Level Input Voltage			0.8			0.8	V
I_{OH}	High Level Output Current			-2			-6.5	mA
I_{OL}	Low Level Output Current			20			20	mA
T_A	Free Air Operating Temperature	-55		125	0		70	$^\circ C$

'S258 Electrical Characteristics

over recommended operating free air temperature (unless otherwise noted)

Symbol	Parameter	Conditions	Min	Typ (Note 1)	Max	Units
V_I	Input Clamp Voltage	$V_{CC} = \text{Min}, I_I = -18\text{ mA}$			-1.2	V
V_{OH}	High Level Output Voltage	$V_{CC} = \text{Min}, I_{OH} = \text{Max}$ $V_{IL} = \text{Max}, V_{IH} = \text{Min}$	DM54	2.4	3.4	V
			DM74	2.4	3.2	
V_{OL}	Low Level Output Voltage	$V_{CC} = \text{Min}, I_{OL} = \text{Max}$ $V_{IH} = \text{Min}, V_{IL} = \text{Max}$			0.5	V
I_I	Input Current @ Max Input Voltage	$V_{CC} = \text{Max}, V_I = 5.5V$			1	mA
I_{IH}	High Level Input Current	$V_{CC} = \text{Max},$ $V_I = 2.7V$	Select		100	μA
			Other		50	
I_{IL}	Low Level Input Current	$V_{CC} = \text{Max},$ $V_I = 0.5V$	Select		-4	mA
			Other		-2	

'S258 Electrical Characteristics

over recommended operating free air temperature (unless otherwise noted) (Continued)

Symbol	Parameter	Conditions	Min	Typ (Note 1)	Max	Units	
I _{OZH}	Off-State Output Current with High Level Output Voltage Applied	V _{CC} = Max, V _O = 2.4V V _{IH} = Min, V _{IL} = Max			50	μA	
I _{OZL}	Off-State Output Current with Low Level Output Voltage Applied	V _{CC} = Max, V _O = 0.5V V _{IH} = Min, V _{IL} = Max			-50	μA	
I _{OS}	Short Circuit Output Current	V _{CC} = Max (Note 2)	DM54	-40		-100	mA
			DM74	-40		-100	
I _{CCH}	Supply Current with Outputs High	V _{CC} = Max (Note 3)		36	56	mA	
I _{CCL}	Supply Current with Outputs Low	V _{CC} = Max (Note 3)		52	81	mA	
I _{CCZ}	Supply Current with Outputs Disabled	V _{CC} = Max (Note 3)		56	87	mA	

Note 1: All typicals are at V_{CC} = 5V, T_A = 25°C.

Note 2: Not more than one output should be shorted at a time, and the duration should not exceed one second.

Note 3: I_{CC} is measured with all outputs open and all possible inputs grounded, while achieving the stated output conditions.

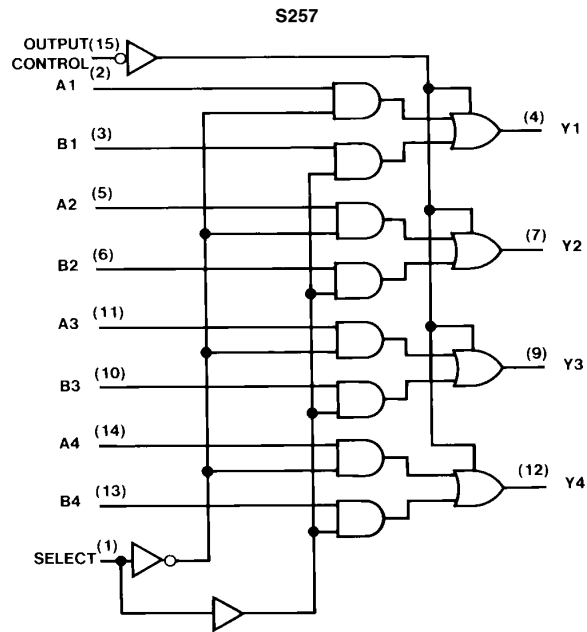
'S258 Switching Characteristics

at V_{CC} = 5V and T_A = 25°C (See Section 1 for Test Waveforms and Output Load)

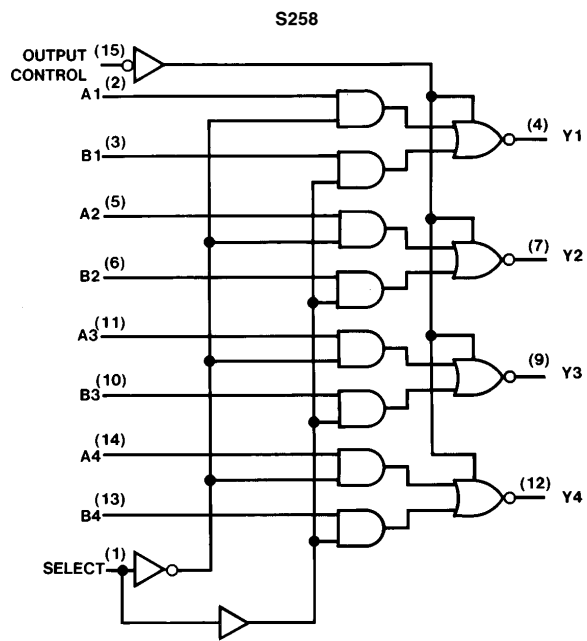
Symbol	Parameter	From (Input) To (Output)	R _L = 280Ω				Units
			C _L = 15 pF		C _L = 50 pF		
			Min	Max	Min	Max	
t _{PLH}	Propagation Delay Time Low to High Level Output	Data to Output		6		9	ns
t _{PHL}	Propagation Delay Time High to Low Level Output	Data to Output		6		9	ns
t _{PLH}	Propagation Delay Time Low to High Level Output	Select to Output		12		15	ns
t _{PHL}	Propagation Delay Time High to Low Level Output	Select to Output		12		15	ns
t _{PZH}	Output Enable Time to High Level Output	Output Control to Y		19.5		23	ns
t _{PZL}	Output Enable Time to Low Level Output	Output Control to Y		21		24	ns
t _{PHZ}	Output Disable Time to High Level Output (Note 1)	Output Control to Y		8.5			ns
t _{PLZ}	Output Disable Time to Low Level Output (Note 1)	Output Control to Y		14			ns

Note 1: C_L = 5 pF.

Logic Diagrams

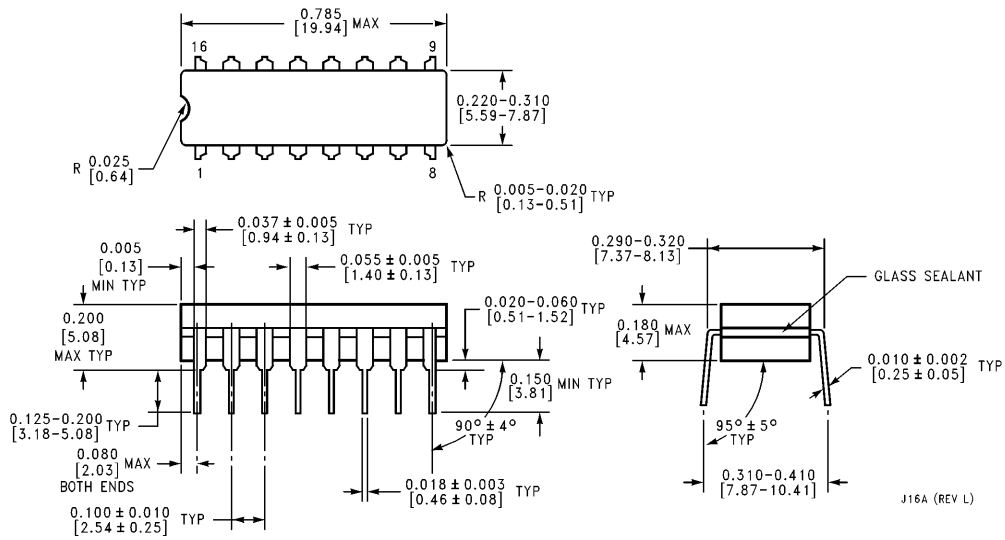


TL/F/6482-3

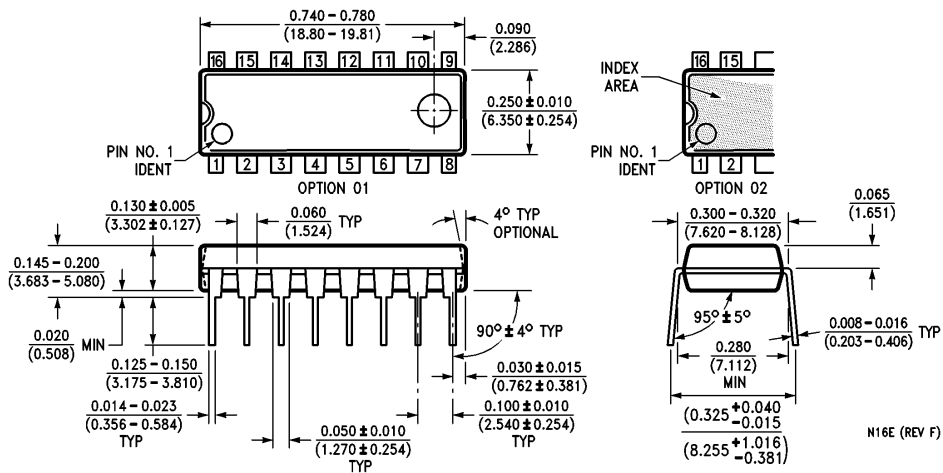


TL/F/6482-4

Physical Dimensions inches (millimeters)

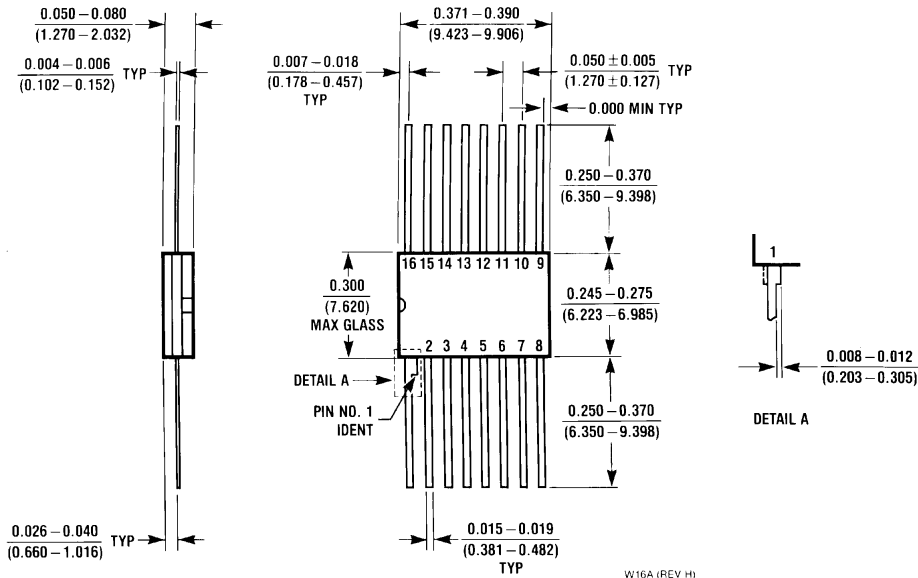


16-Lead Ceramic Dual-In-Line Package (J)
 Order Numbers DM54S257J or DM54S258J
 NS Package Number J16A



16-Lead Molded Dual-In-Line Package (N)
 Order Numbers DM74S257N or DM74S258N
 NS Package Number N16E

Physical Dimensions inches (millimeters) (Continued)



16-Lead Ceramic Flat Package (W)
Order Number DM54S257W
NS Package Number W16A

LIFE SUPPORT POLICY

NATIONAL'S PRODUCTS ARE NOT AUTHORIZED FOR USE AS CRITICAL COMPONENTS IN LIFE SUPPORT DEVICES OR SYSTEMS WITHOUT THE EXPRESS WRITTEN APPROVAL OF THE PRESIDENT OF NATIONAL SEMICONDUCTOR CORPORATION. As used herein:

1. Life support devices or systems are devices or systems which, (a) are intended for surgical implant into the body, or (b) support or sustain life, and whose failure to perform, when properly used in accordance with instructions for use provided in the labeling, can be reasonably expected to result in a significant injury to the user.
2. A critical component is any component of a life support device or system whose failure to perform can be reasonably expected to cause the failure of the life support device or system, or to affect its safety or effectiveness.



National Semiconductor Corporation
 1111 West Bardin Road
 Arlington, TX 76017
 Tel: 1(800) 272-9959
 Fax: 1(800) 737-7018

National Semiconductor Europe
 Fax: (+49) 0-180-530 85 86
 Email: onjwge@tevm2.nsc.com
 Deutsch Tel: (+49) 0-180-530 85 85
 English Tel: (+49) 0-180-532 78 32
 Français Tel: (+49) 0-180-532 93 58
 Italiano Tel: (+49) 0-180-534 16 80

National Semiconductor Hong Kong Ltd.
 19th Floor, Straight Block,
 Ocean Centre, 5 Canton Rd.
 Tsimshatsui, Kowloon
 Hong Kong
 Tel: (852) 2737-1600
 Fax: (852) 2736-9960

National Semiconductor Japan Ltd.
 Tel: 81-043-299-2309
 Fax: 81-043-299-2408

National does not assume any responsibility for use of any circuitry described, no circuit patent licenses are implied and National reserves the right at any time without notice to change said circuitry and specifications.